

Putzmeister

RS 850 TOWER | PLACING SYSTEM

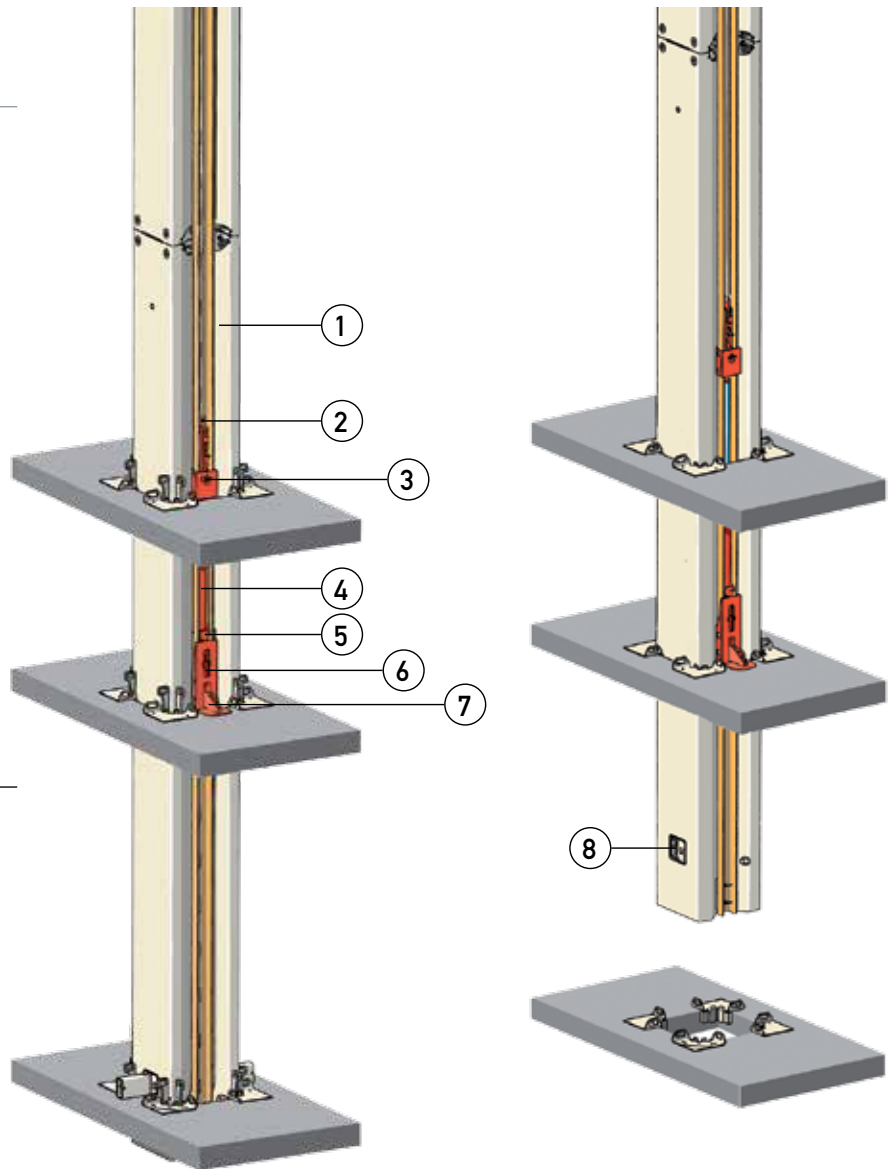
RS 850 TOWER



PUTZMEISTER RS 850 TOWER PLACING SYSTEM

- Automatic hydraulic self-climbing
- Simple column connection
- Rapid disconnection system
- Removable work platform

1. Climbing rail
2. Chain hoist
3. Upper climbing carriage
4. Climbing cylinder
5. Lower climbing carriage
6. Catch for lower climbing carriage
7. Pivoting pawl
8. Horizontal support



At the start of climbing, the pivoting pawl holds the placing boom at the top while the climbing cylinder retracts again for the next lift.

RS 850 TOWER SPECIFICATIONS

Height	5' 0" (1.50m)	9' 10" (3.00m)	19' 18" (6.00m)	30' 0" (9.00m)	34' 5" (10.50m)
Width (Square)	3' 3" (1.00m)	3' 3" (1.00m)	3' 3" (1.00m)	3' 3" (1.00m)	3' 3" (1.00m)
Approx Weight w/Pipe	2,846 lbs (1,291kg)	3,596 lbs (1,631kg)	6,142 lbs (2,786kg)	9,900 lbs (4,490kg)	10,510 lbs (4,767kg)
Style	Climbing Column	Tower	Tower	Climbing Column	Climbing Column

EASILY REACH NEW HEIGHTS WITH THE NEW RS 850 TOWER PLACING SYSTEM

As buildings get taller, pouring concrete gets more demanding. Putzmeister's placing booms give you a strong, stable base to work your way to the top while pouring concrete precisely and efficiently along the way.

Putzmeister's new RS 850 Tubular Column Placing System features a fully automatic hydraulic self-climbing system in an easy-to-assemble, compact design for high-rise pumping with greater flexibility.

BUILT IN AMERICA USING PUTZMEISTER'S GERMAN ENGINEERING

The RS 850 Tower System uses an M-profile design that incorporates the self-climbing and delivery systems into a smaller footprint – just three-feet-three-inches (1.00m) square. That means smaller floor openings to deal with, and no carrying heavy components from one floor to the next.

The RS 850 uses a pin connect system rather than time-consuming bolted connections. The pins are inserted and tightened, and can be reused – enhancing efficiency and saving costs.



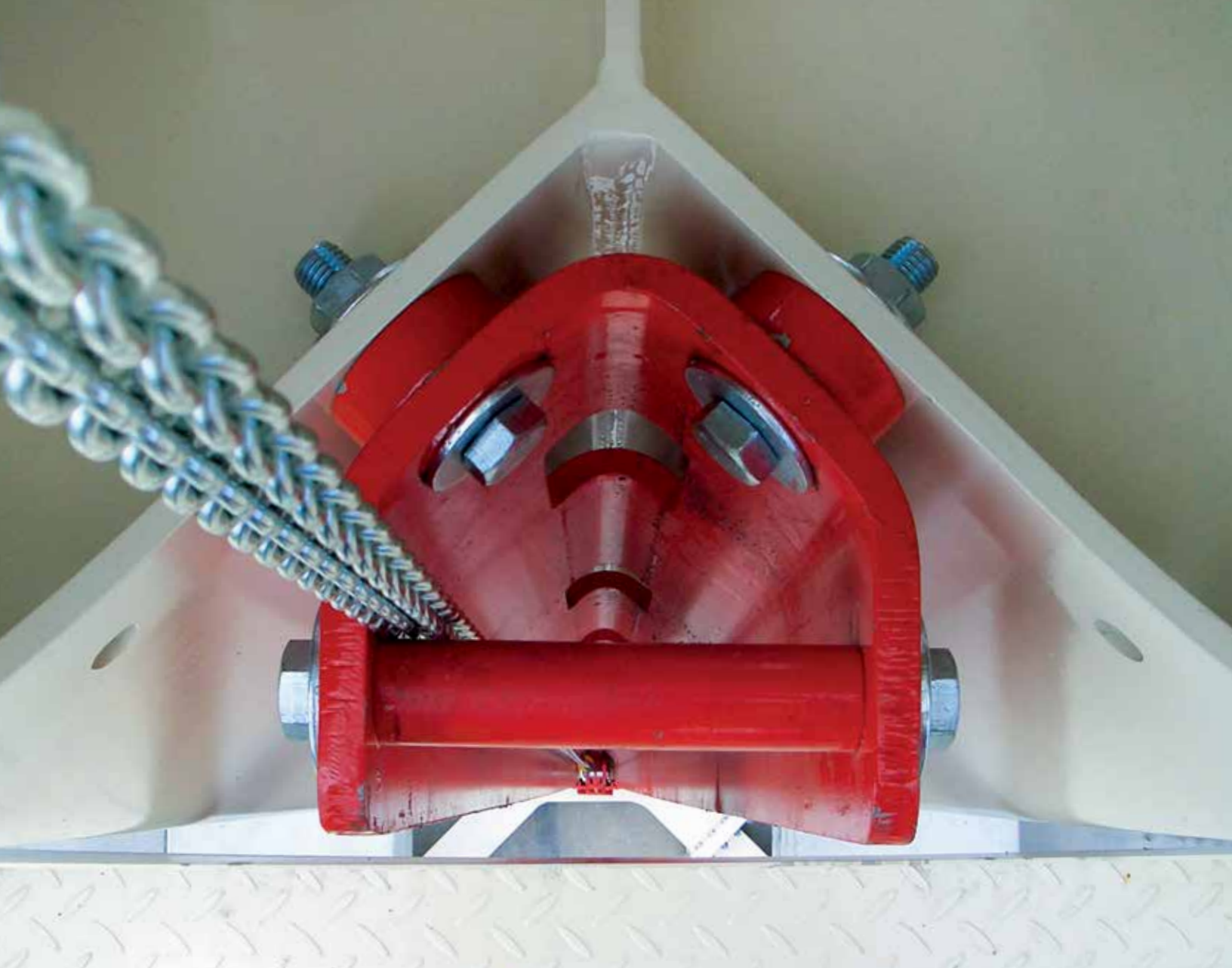
RS 850 TUBULAR COLUMN PLACING SYSTEM

- **Tubular columns** in standard lengths of 9' 10" (3.00m) and 19' 8" (6.00m)
- **Climbing columns** available as 5' 0" (1.50m), 30' 0" (9.00m) or 34' 5" (10.50m) sections with a self-climbing device
- **Automatic climbing** with the hydraulic self-climbing device
- **Horizontal supports** to hold tubular columns securely at the floor
- **Simple column connection** using reusable pins
- **Adapter** between tubular column and boom pedestal to ensure compatibility
- **Many set-up** variations for every situation
- **Rapid disconnection system** for improved transport
- **Removable work platform** for easier transport
- **P1ST pipe** is standard

DETACHABLE WORK PLATFORM

Safety is a top priority on construction sites, and so it is with the RS 850 work platform. It is safe and practical, quick to install, and compact for transportation.

Three-quarters of the work platform and all of the tower sections can be assembled at ground level while the final section is simply clicked in and secured. An optional intermediate work platform can be comfortably secured to the tubular column in minimal time. A ladder can also be attached to the tubular column with a detachable safety back guard to prevent damage during transportation and storage.



EXCLUSIVE RS 850 TECHNOLOGY STANDS TALL

The RS 850 is the latest in Putzmeister's commitment to innovation that has produced the most advanced placing systems available. Our leading-edge engineering has developed many products with unique features that set our equipment apart and keep you on top of your jobs.

With its integrated self-climbing system, the RS 850 automatically raises the tubular column and delivery line to the next floor. The unit climbs without a crane, using a lift cylinder and the pedestal's hydraulics.

The modular design protects the delivery line and power connections inside the column, making it easier to create and patch floor openings. In the initial phase of construction, the base and first floors are poured with the placing boom mounted on the RS 850 tubular column as a freestanding boom. The column then automatically climbs through floor openings to the next story.

After being raised, additional pipes can be easily added at the lower column end, while the tubular column supports itself after each climb. The vertical support system firmly supports the tower using corner wedges for lateral bracing.

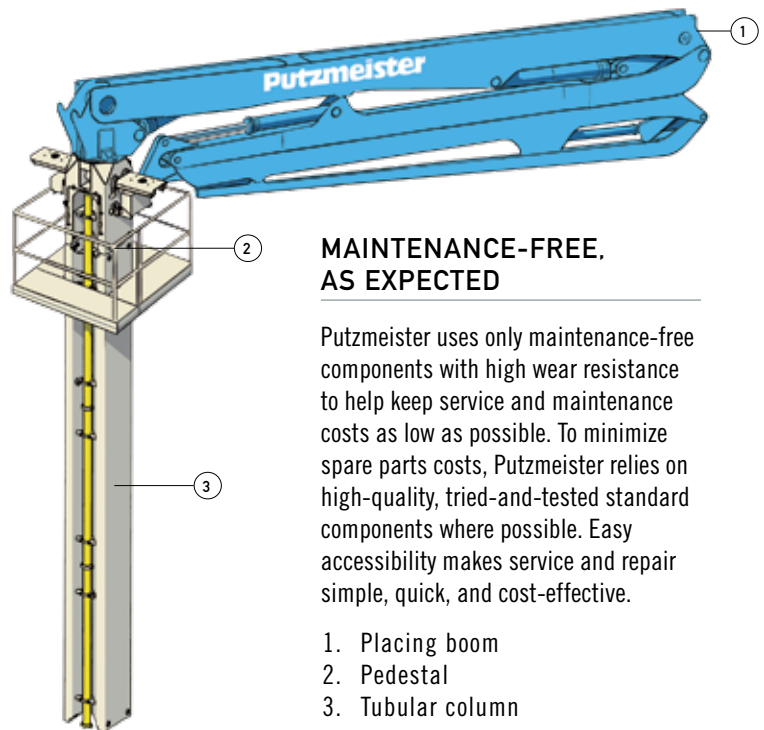
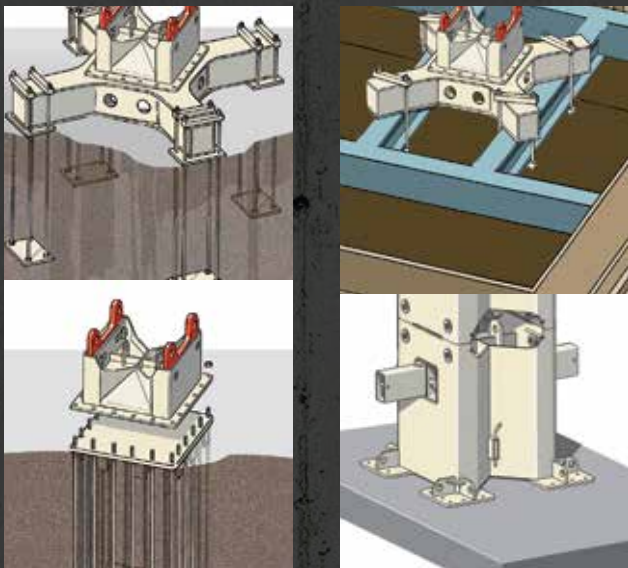
The process can be repeated as often as needed as the climbing cylinder is pulled up the rail by a winch. This makes automatic climbing over several stories possible.



AIM HIGH WITH A SOLID BASE

The RS 850 Tubular Column can be set up in several ways depending on the construction site.

- On a spacious site, a ballasted base is the best option
- Cruciform base with anchors
- The cruciform base can also be integrated in a climbing formwork or slip-form
- On a congested job site, a compact base with a tie rod basket can be fixed to the base
- If a base plate and floor are already completed, a cruciform base is not needed. Instead, the tubular column is held with four base plates and floor corner brackets in the first ceiling. The brackets are significantly lighter and more compact than other ceiling frames



MAINTENANCE-FREE, AS EXPECTED

Putzmeister uses only maintenance-free components with high wear resistance to help keep service and maintenance costs as low as possible. To minimize spare parts costs, Putzmeister relies on high-quality, tried-and-tested standard components where possible. Easy accessibility makes service and repair simple, quick, and cost-effective.

1. Placing boom
2. Pedestal
3. Tubular column



PUTZMEISTER PLACING SYSTEMS AROUND THE WORLD

Putzmeister placing systems have played a vital role in the construction of these landmarks:

Hoover Dam Bypass
Burj Khalifa
The Wilshire Grand
Oakland — Bay Bridge

Skyline at MacArthur Place
Hydro-Quebec Eastmain — 1 Dam and Power House
New Orleans GIWW Bypass Gate
Trump Ocean Club International Hotel & Tower
Hollywood & Vine — W Hotel & Residence

Tacoma Narrows Bridge
Energia Costa Azul
Wachovia Corporate Center
CityCenter Las Vegas

For more information on these and other high-profile placing system projects, visit the Placing System section at www.PutzmeisterAmerica.com.

NATIONWIDE SUPPORT

Putzmeister's comprehensive product line has you covered, from placing booms, towers, and mounting and climbing configurations to trailer pumps, pipe systems, diversion valves, and more.

As part of our complete systems approach, Putzmeister specialists work with you from inception to completion on every job, including specifying equipment, consulting on concrete composition, and designing a system for maximum placing coverage.

Putzmeister technicians are strategically placed across the Americas to resolve emergencies, provide advice, and answer your questions. Our qualified local distributors can also respond to your needs.

- Complete startup support
- Technical assistance over the phone
- Classroom and on-site training
- Complimentary customized Ship Away Kit of tools and extras for most purchases
- Quick turnarounds on genuine Putzmeister parts – more than 20,000 in stock for next-day delivery
- Warranty work

Photos and drawings are for illustrative purposes only.

Authorized Distributor



ADVANTAGE REWARDS

No one deserves a break more than our loyal customers. Join the Putzmeister Advantage Rewards program and you'll enjoy substantial savings on genuine Putzmeister parts, Pipe Technology delivery systems, and accessories. You'll also earn reward points on every qualifying purchase for savings on future purchases.

Visit www.PutzmeisterAmerica.com and click on Advantage Rewards in the Service & Support menu, or contact the Putzmeister Customer Support Group.

24/7 Customer Support and Parts

1-800-890-0269



Putzmeister

Putzmeister America, Inc.
1733 90th Street
Sturtevant, WI 53177 USA

Phone (262) 886-3200
Toll-free (800) 884-7210
Fax (262) 884-6338

PutzmeisterAmerica.com

pmr@putzam.com